



Unified Power Flow Controller: Operation, Modelling and Applications

Majid Dehghani, Mohammad Reza Yousefi, Amir Mosavi and
Arman Fathollahi

EasyChair preprints are intended for rapid dissemination of research results and are integrated with the rest of EasyChair.

February 4, 2023

Unified Power Flow Controller: Operation, Modelling and Applications

Majid Dehghani
Department of Electrical
Engineering, Najafabad
Branch, Islamic Azad
University, Najafabad, Iran
dehghani@pel.iaun.ac.ir

Mohammad Reza Yousefi
Department of Electrical
Engineering, Najafabad
Branch, Islamic Azad
University, Najafabad, Iran
mr-yousefi@iaun.ac.ir

Amir Mosavi
John von Neumann Faculty of
Informatics, Obuda University,
Budapest, Hungary
amir.mosavi@nik.uni-obuda.hu

Arman Fathollahi
Department of Electrical and
Computer Engineering, Aarhus
University, Aarhus, Denmark
arman.f@ece.au.dk

Abstract— The most crucial approach for power and control system implementation is optimal power flow because it yields the lowest operating costs and maintains the safety margins for the control variables. An essential component of the flexible AC transmission system (FACTS) is the unified power flow controller (UPFC). It is designed to provide multiple types of energy system compensation and can be utilized for controlling the reactive and active electrical power in transmission lines and bus voltages independently and at the same time. Considerable studies have been published in the UPFC engineering applications area using various techniques. A brief review of UPFC applications for increasing power system flexibility and controllability has been conducted and summarized. This paper also discusses the utilization of artificial intelligence in the placement of UPFC in power systems.

Keywords—FACTS devices; Unified power flow controller; Artificial Intelligence (AI); voltage source converter.

I. INTRODUCTION

The increasing expansion of the industry, along with increased consumption loads and the maintenance of dynamic stability, at the same time with providing a level of permissible voltage, has created a limitation of power transmission in the power system [1,2]. In order to enlargement the transferring capacity of modern power systems, transmission lines need to be built, which results in an increase in the operating costs of these energy systems. To supplying of network, load the compensator is used to improve the status of existing lines [3,4].

Maintaining the appropriate voltage quantities and qualities requires high voltage flexible AC transmission systems. The complex power system may not be able to properly regulate voltage or change the level of electrical power that is either injected into or absorbed by the power system if the FACTS are not accumulated and evaluated. Overall grid capacity and achievement are improved by FACTS [5].

In addition, they boost the large-scale energy system's reliability and efficiency. FACTS can provide a greater degree of control over electrical energy because they are capable of dampening power oscillations. Therefore, these devices are utilized for proper control to achieve the flexibility of the power system [6]. There has been a substantial amount of investigation carried out in the field of FACTS devices [7]. They are a significant part of today's interconnected large-scale

electrical networks [8]. FACTS devices are divided into three groups as shown in Fig. 1 [9]: the mechanical switches such as TCSC [10], the hybrid device such as STATCOM [11] and the voltage source converter such as IPFC [12].

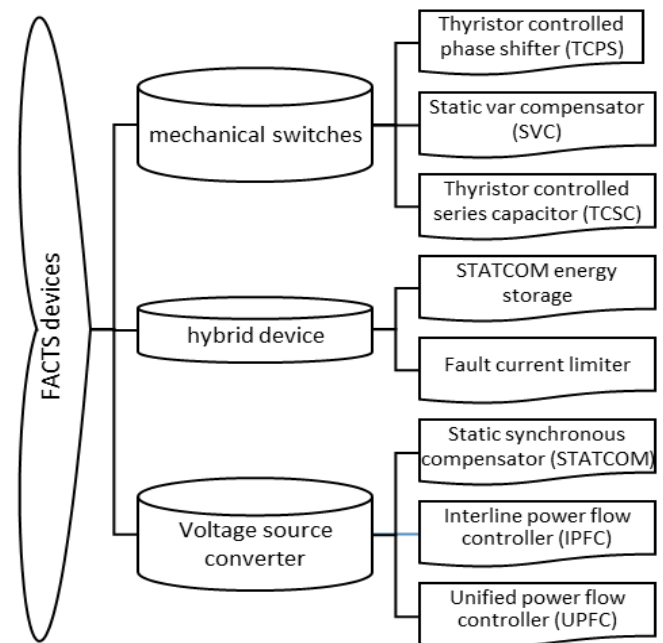


Fig. 1. Classification of FACTS devices

In order to quickly compensate for reactive power on high-voltage transmission grids, an electrical device known as a UPFC is employed [13]. A UPFC is extremely distinct from traditional ac transmission technology due to its operation relies on the protection and control power system [14]. It is adaptable enough to accommodate the operational requirements of specific functionality. UPFC have different uses in the power system for improve behavior of the grid such as security enhancement [15], backup protection [16] and oscillation damping [17].

So far, a lot of research has been done on UPFC application in power system [18,19]. The UPFC is a part of the FACTS family and retains numerous appealing characteristics. The UPFC is connected using a combination of shunt and series connections. The purpose of this research is to provide a review

of the various applications of UPFC in the modern power system. The categorized information in Table I provides a summary of the FACTS device family. This table furnishes a concise summary of the operating fundamental, the various possible main control approaches, and the local signals that are utilized for supplementary damping control in the research that has been published [20,21].

This paper is structured as follows:

Section II presents the principles of unified power flow controllers. In Section III, the coordination design of UPFC and PSS is summarized. Section IV briefly reviewed the application of artificial intelligent in UPFC optimal placement research field. The congestion mitigation, SSR, and other FACTS devices are categorized in Section V. In Section VI, the studies regarding how to improve power system oscillation with FACTS devices are outlined. Eventually, this paper is concluded in Section VII.

II. UNIFIED POWER FLOW CONTROLLER

A. Compensating Structure

As depicted in Fig. 2, the UPFC is an amalgamation of an SSSC and a STATCOM that are paired using a prevalent DC voltage source [22]. A series transformer is employed to inject current into a power transmission line, which is developed by a pair of controllable three-phase bridges. Both reactive and active electrical Power flows in a transmission system can be controlled by an advanced control system. It can only work properly when a balanced sine wave source is applied. UPFC can independently manage reactive and active power flows on the power line as well as the bus voltages thanks to the inverters that operate via a universal DC link and a DC storage capacitor. Internal reactive power interaction via a DC link between two inverters is not possible. SSSC is utilized to control the capacity for the transfer of electrical energy in the line to which it is connected. At the point where there are typical connections, STATCOM is used to regulate the bus voltage [23].

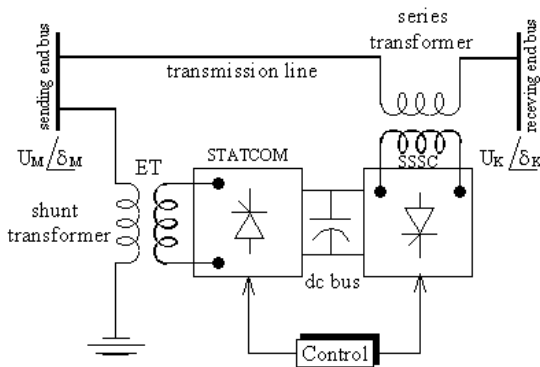


Fig. 2. Orbital structure of unified power flow controller

There are three distinct categories of techniques for controlling the active and reactive power flow: (i) is designed to inject the series voltage in phase shift with the power transmission line current, allowing it to function similarly to a variable sense capacitor [24], (ii) is according to injecting the series voltage in phase shift with the UPFC bus [25], and (iii) the D-Q axis current in the power transferring line is

independently controlled, enabling individual control of the reactive and active power flow [26].

TABLE I. OVERVIEW OF FACTS CONTROLLER

Type	Devices	Device's principle	Basic control	Local modulation on signal
Series	TCSC	varying reactance	line compensation	synthesized frequencies synthesized voltages active power, current
	SSSC	reactive source	line compensation	
Shunt	SVC	varying reactance	bus voltage	
	STATCOM	reactive source	bus voltage	
Shunt-series	UPFC	series compensation and reactive source	active power flow compensation of bus voltage line	
Shunt-shunt	BTBL	reactive source and phase compensation	bus voltage active power flow	

B. Compensation Model

By modifying the parameters of the power transmission line, the UPFC can achieve real-time control over the power flow in an electrical transmission system. Node voltages, line impedances, and phase angle are the adjustable specifications. These three parameters cover all the controllable parameters of the other FACTS [27].

Since UPFC is a multi-variable power controller in the large-scale energy system, it is essential to investigate the impact of the various power system operating conditions. Fig. 3 illustrates the UPFC model with a regulated voltage source. With the electric grid serving as a representation of the shunt and series voltage source inverters, this model is comprised of two power supplies, one of which is associated with series and the other in shunt. By transforming DC voltage to AC voltage, the power sources are established. The schematic representation of a UPFC with a controlled flow supplier can be found in Fig. 4 [28]. Fig. 5 depicts the model of the UPFC as a transformer with a shunt branch. In this model, the variable shunt susceptance and the turn ratio of the transformer are unaffected by the voltages and currents that are measured at the input and output of UPFC [29].

A dynamic model of UPFC was developed in [30], to boost the power transfer capability through the power transmission network. Series and shunt controllers were structured with fuzzy logic controllers in this approach. In [31], a comparative study on different techniques used to incorporate UPFC in load flow algorithms, such as the decoupled technique, load injection technique, matrix partitioning technique, and indirect technique, is presented. In [32], a reconfigurable cascaded multi-level inverter with a full-bridge converter is suggested. Each phase foot shunt has one end linked to the electrical

power line and the other ends linked in parallel to the primary terminals of the series line transmitter and the alternating current (AC) inverter's output terminals.

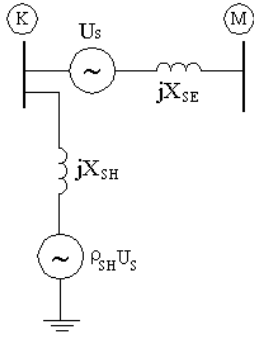


Fig. 3. Equivalent compensation circuit with controlled voltage source

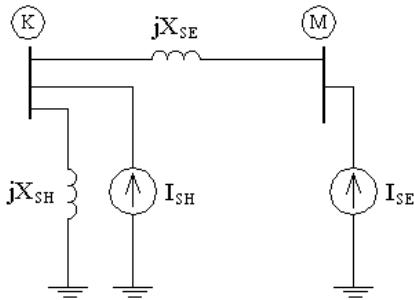


Fig. 4. Equivalent compensation circuit with controlled flow source

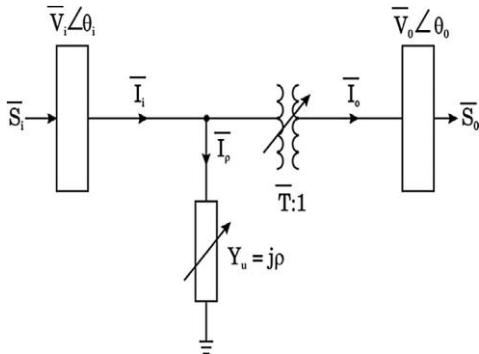


Fig. 5. UPFC Model as a transformer with a shunt branch

III. COORDINATION DESIGN OF UPFC AND PSS

Power system stabilizer (PSS) and UPFC controllers' coordinated design has been the subject of numerous studies employing a variety of techniques [33,34]. A strategy for coordinating UPFC with PSS to suppress oscillations generated by a small signal disturbance is presented in [35]. This procedure is used to determine the eigenvalue of the greatest real segment and then minimize it as a nonlinear optimization challenge. This model aims to suppress oscillations caused by small signal disturbances. In [36], genetic algorithms are used in a coordinated configuration among a power system stabilizer (PSS) and a UPFC to optimize the damping proportion of electro-mechanical states by correlating various characteristics of PSSs with a UPFC. An optimal combination for simultaneously locating UPFC and PSS to augment the stability of the power system is addressed in [37], and a mixed integer nonlinear problem is developed for the analysis and

design as a result of this presentation research. This architecture aims to boost the transient stability of the large-scale energy system.

IV. USE OF ARTIFICIAL INTELLIGENCE IN UPFC PLACEMENT

Finding the ideal positions and configurations for UPFC devices in power systems is very challenging, and a lot of data is frequently required. Three categories—conventional optimization (CO), sensitivity analysis (SA)-based, and Artificial Intelligence (AI)-based—can be used to categorize the techniques and approaches used in earlier research studies to determine the best locations and settings for the system equipped with UPFC. The most widely used techniques are those based on artificial intelligence, and these are also considered to be the best strategies. Power flow restrictions like reactive and active power, voltage, and power loss are all impacted by the generator failure. The ideal placement of the Facts devices as well as the selection of the appropriate signals in the power system are essential to its effective performance [38]. The best location for the FACTS controllers is extremely important to find the ideal location for UPFC controller placement in multiple applications [39]. Due to its ease of implementation in solving numerous challenging engineering optimization problems, AI is widely used [40]. To prove the practicability of the suggested method for choosing where the UPFC interface should be located in distribution or transmission networks, critical features should be investigated.

The parameters assessed include the phase angle, voltage profile, and proportion of power quality improvement, as well as the cost of the UPFC device during setup and operation, the cost of power generation, the location, number, and parameter of the UPFC device, the deviation of the voltage, and the severity index, the voltage stability, and the mitigation of harmonics [41]. These analyses should be carried out in a specific power network, preferably the regular network of the IEEE bus system, under specific contingency conditions. The approach to UPFC placement based on evolutionary programming and various sensitivity analyses is described in [42]. Note that, in the field of optimization, this problem was solved utilizing evolutionary algorithms. In order to increase dynamic stability, a hybrid strategy based on optimal planning and sizing of UPFC using the combination of the Gravitational Search Algorithm (GSA) and artificial bee colony (ABC) algorithms is developed in [43]. The cuckoo search (CS) and firefly algorithm (FA) are suggested in [44], where the FA strategy optimizes the maximum power loss line as the suitable location of the UPFC, utilizing the best location and the UPFC's capacity to boost the multimachine power system's transient and dynamic stability. In order to achieve optimal power flow and optimal placement of UPFC, a new gray wolf with a population-based update evaluation algorithm is demonstrated [45]. Furthermore, there are a number of strong approaches, such as [46,47], that can be utilized in the field of planning the location of FACTS devices in the modern power system.

V. CONGESTION MITIGATION AND SSR

There is an extensive power flow approach for the UPFC that is delivered in [48]. This strategy has the capacity to manage both reactive and active electrical powers as well as the voltage amplitude simultaneously. In [49], eigenvalue

computation and fast Fourier transform (FFT) investigation against operating point deviations and uncertainties in the system are also analyzed, along with a suggestion for mitigating sub-synchronous resonance (SSR) by employing fractional-order PI (FOPI)-based UPFC. A comprehensive optimization framework according to sequential interpretation to optimally distribute the UPFC and TCSC with wind power generators under deregulated large-scale energy system is furnished in [50], in which the suggested strategy for optimal planning of UPFC and TCSC has been experimented with, and verified on customized IEEE 14-bus and IEEE 118-bus multi-machine energy systems.

VI. IMPROVE POWER OSCILLATION DAMPING

Low-frequency oscillations are one of the primary problems that must be solved to guarantee the reliable operation of the power system [51,52]. Power oscillations can be triggered by a variety of factors, including faults in the transmission lines, power line switching, or a sudden change in the output of the generator [53]. Local plant mode oscillations, interplant mode oscillations, and inter-area mode oscillations are some of the different types of power system oscillations. The important advantage of increased energy transmission capability over the current interconnector is achieved through oscillation dampening. To reduce power system oscillations, several investigations have been carried out [54,55]. To identify the optimal control input parameters of a unified power flow controller (UPFC) for damping power system oscillations, a comparative analysis with the direct component of torque (DCT), minimum singular value (MSV), Hankel singular value (HSV), and residue has been proposed [56]. A damping control system, which is based on a generalized power-incorporated current controller, is a third-generation FACTS device that is presented in [57], to investigate its effect on reducing low-frequency oscillation.

VII. CONCLUSIONS

By employing FACTS devices, better utilization of existing power can be recognized. An overview of one of the consequential members of the FACTS family namely UPFC is illustrated in this review paper. It is the universal FACTS controller that can control up to three transmission power system parameters individually or simultaneously in appropriate combinations. The main advantage of the UPFC is to manage the reactive and active power flows in the transmission line. Bus voltage and current flow throughout a energy system are controlled by UPFC and it is one of the most advantageous FACTS devices for load current control.

REFERENCES

- [1] X. Wu, R. Wang, Y. Wang, and L. Wang, "A Novel UPFC Model and its Convexification for Security-Constrained Economic Dispatch," *IEEE Transactions on Power Systems*, vol. 37, no. 6, pp. 4202-4213, 2022, doi: 10.1109/TPWRS.2022.3148090.
- [2] S. Abrazeh et al., "Virtual Hardware-in-the-Loop FMU Co-Simulation Based Digital Twins for Heating, Ventilation, and Air-Conditioning (HVAC) Systems," *IEEE Transactions on Emerging Topics in Computational Intelligence*, 2022.
- [3] S. Li, T. Hu, and Y. Li, "Reliability Improvement to UPFC With Routine Test to the Abnormal State," *IEEE Transactions on Power Delivery*, vol. 37, no. 6, pp. 4612-4622, 2022, doi: 10.1109/TPWRD.2022.3152210.
- [4] A. Fathollahi, A. Kargar, S.Y. Derakhshandeh, "Enhancement of power system transient stability and voltage regulation performance with decentralized synergetic TCSC controller", *Int. J. of Electrical Power and Energy Systems*, Vol. 135, pp. 107533, Feb. 2022.
- [5] G. Zhang et al., "A Novel Data-Driven Self-Tuning SVC Additional Fractional-Order Sliding Mode Controller for Transient Voltage Stability with Wind Generations," *IEEE Transactions on Power Systems*, pp. 1-12, 2023, doi: 10.1109/TPWRS.2022.3233894.
- [6] Y. Bi et al., "Modified Deadbeat Predictive Current Control Method for Single-Phase AC-DC PFC Converter in EV Charging System," *IEEE Transactions on Industrial Electronics*, vol. 70, no. 1, pp. 286-297, 2023, doi: 10.1109/TIE.2022.3156151.
- [7] Z. Azimi, G. Shahgholian, "Power system transient stability enhancement with TCSC controller using genetic algorithm optimization", *Int. J. of Natural and Engineering Sciences*, Vol. 10, No. 3, pp. 9-14, 2016.
- [8] M. Yan, M. Shahidehpour, A. Paaso, L. Zhang, A. Alabdulwahab, and A. Abusorrah, "A Convex Three-Stage SCOPF Approach to Power System Flexibility With Unified Power Flow Controllers," *IEEE Transactions on Power Systems*, vol. 36, no. 3, pp. 1947-1960, 2021, doi: 10.1109/TPWRS.2020.3036653.
- [9] T. Fetouh, M.S. Zaky, "New approach to design SVC-based stabiliser using genetic algorithm and rough set theory", *IET Generation, Transmission and Distribution*, Vol. 11, No. 2, pp. 372-382, Jan. 2017.
- [10] G. Shahgholian, M. Maghsoodi, A. Movahedi, "Fuzzy proportional integral controller design for thyristor controlled series capacitor and power system stabilizer to improve power system stability", *Revue Roumaine Des Sciences Techniques*, Vol. 61, No. 4, pp. 418-423, 2016.
- [11] E. Jafari, et al., "Designing an emotional intelligent controller for IPFC to improve the transient stability based on energy function", *Journal of Electrical Engineering and Technology*, Vol. 8, No. 3, pp. 478-489, 2013.
- [12] G. Shahgholian, B. Bayat, "A new control technique for improving the oscillations and decreasing the harmonic components of voltage in STATCOM", *Int. Review of Electrical Engineering*, Vol. 6, No. 6, pp. 3163-3174, 2011.
- [13] S.R. Samantaray, L.N. Tripathy, P.K. Dash, "Differential equation-based fault locator for unified power flow controller-based transmission line using synchronised phasor measurements", *IET Generation, Transmission and Distribution*, Vol. 3, pp. 86-98, Jan. 2009.
- [14] A.A. Hossam-Eldin, H. Elrefaie, G.K. Mohamed, "Study and simulation of the unified power flow controller effect on power systems", *Proceeding of the IEEE/EIMEPSC*, pp. 461-467, El-Minia, Egypt, Dec. 2006.
- [15] M. M. Haque, M. S. Ali, P. Wolfs, and F. Blaabjerg, "A UPFC for Voltage Regulation in LV Distribution Feeders With a DC-Link Ripple Voltage Suppression Technique," *IEEE Transactions on Industry Applications*, vol. 56, no. 6, pp. 6857-6870, 2020, doi: 10.1109/TIA.2020.3023068.
- [16] P. Song, Z. Xu, H. Dong, "UPFC-based line overload control for power system security enhancement", *IET Generation, Transmission and Distribution*, Vol. 11, No. 13, pp. 3310-3317, Oct. 2017.
- [17] S. Ravindra, C.V. Suresh, S. Sivanagaraju, V.C.V. Reddy, "Power system security enhancement with unified power flow controller under multi-event contingency conditions", *Ain Shams Engineering Journal*, vol. 8, no. 1, pp. 9-28, March 2017.
- [18] B. Kumar, A. Yadav, "Backup protection scheme for transmission line compensated with UPFC during high impedance faults and dynamic situations", *IET Science, Measurement and Technology*, Vol. 11, No. 6, pp. 703-712, Sep. 2017.
- [19] J. Guo, M.L. Crow, J. Sarangapani, "An improved UPFC control for oscillation damping", *IEEE Trans. on Power Systems*, Vol. 24, No. 1, Feb. 2009.
- [20] S. Dutta, P. Mukhopadhyay, P.K. Roy, D. Nandi, "Unified power flow controller based reactive power dispatch using oppositional krill herd algorithm", *Int. J. of Electrical Power and Energy Systems*, Vol. 80, pp. 10-25, Sep. 2016.
- [21] B. Rathore, O. P. Mahela, B. Khan, and S. Padmanaban, "Protection Scheme using Wavelet-Alienation-Neural Technique for UPFC Compensated Transmission Line," *IEEE Access*, vol. 9, pp. 13737-13753, 2021, doi: 10.1109/ACCESS.2021.3052315.

- [22] I. Bhawoorjar and P. Jagtap, "Grid-connected Hybrid PV Power System Performance evaluation by employing a Unified Power Flow Controller," in 2022 2nd Asian Conference on Innovation in Technology (ASIANCON), 26-28 Aug. 2022, pp. 1-5, doi: 10.1109/ASIANCON55314.2022.9909299.
- [23] E. A. Cano-Plata, A. J. Ustariz-Farfán, and C. Arango-Lemoine, "EAF Arc Stability Through the Use of UPFCs," *IEEE Transactions on Industry Applications*, vol. 55, no. 6, pp. 6624-6632, 2019, doi: 10.1109/TIA.2019.2929255.
- [24] K. Sreenivasachar, "Unified power flow controller: Modeling, stability analysis, control strategy and control system design", Ph.D. Thesis, University of Waterloo, Ontario, Canada, 2001.
- [25] K.K. Sen, E.J. Stacey, "UPFC-unified power flow controller: Theory, modeling and applications", *IEEE Trans. on Power Delivery*, Vol. 13, No.4, pp. 1453-1459, Oct. 1998.
- [26] Z.Y. Huang, Y.X. Ni, C.M. Shen, F.F. Wu, S.S. Chen, B.L. Zhang, "Application of unified power flow controller in interconnected power systems modeling, interface, control strategy, and case study", *IEEE Trans. on Power Systems*, Vol. 15, No. 2, pp. 817-824, May 2000.
- [27] C.D. Schauder, L. Gyugyi, M.R. Lund, D.M. Hamai, T.R. Rietman, D.R. Torgerson, A. Edris, "Operation of the unified power flow controller (UPFC) under practical constraints", *IEEE Trans. on Power Delivery*, Vol. 13, No.2, pp. 630-639, April 1998.
- [28] M. Pereira, L.C. Zanetta, "A current based model for load flow studies with UPFC", *IEEE Trans. on Power Systems*, Vol. 28, No. 2, pp. 677-682, May 2013.
- [29] S.A. Nabavi-Niaki, M.R. Iravani, "Steady state and dynamic models of unified power flow controller (UPFC) for power system studies", *IEEE Tran. on Power Systems*, Vol. 11, No. 4, pp. 1937-1943, Nov. 1996.
- [30] S. Alamelu, S. Baskar, C.K. Babulal, S. Jeyadevi, "Optimal siting and sizing of UPFC using evolutionary algorithms", *Int. J. of Electrical Power and Energy Systems*, Vol. 69, pp. 222-231, 2015.
- [31] S. Ahmad, F.M. Albatsh, S. Mekhilef, H. Mokhlis, "Fuzzy based controller for dynamic unified power flow controller to enhance power transfer capability", *Energy Conversion and Management*, Vol. 79, pp. 652-665, March 2014.
- [32] S. Kamel, F. Jurado, J.A. PeçasLopes, "Comparison of various UPFC models for power flow control", *Electric Power Systems Research*, Vol. 121, pp. 243-251, April 2015.
- [33] A. Fattollahi, "Simultaneous design and simulation of synergetic power system stabilizers and a thyristor-controller series capacitor in multi-machine power systems", *Journal of Intelligent Procedures in Electrical Technology*, vol. 8, no. 30, pp. 3-14, Sept. 2017.
- [34] G. Shahgholian, et al., "Improving Power System Stability Using Transfer Function: A Comparative Analysis", *Engineering, Technology and Applied Science Research*, vol. 7, no. 5, pp. 1946-1952, 2017.
- [35] A. Siddique, Y. Xu, W. Aslam, M. Rasheed, and M. Fatima, "Analysis of Transient Stability with SSSC and UPFC with Multi-Band PSS in Two Area Multi-Machine System," in 2018 *IEEE 3rd International Conference on Integrated Circuits and Microsystems (ICICM)*, 24-26 Nov. 2018, pp. 226-230, doi: 10.1109/ICAM.2018.8596514.
- [36] H. Huang, L. Zhang, O. Oghorada and M. Mao, "Analysis and control of a modular multilevel cascaded converter-based unified power flow controller", *IEEE Trans. on Industry Applications*, vol. 57, no. 3, pp. 3202-3213, May/June 2021.
- [37] L.H. Hassan, M. Moghavvemi, H.A.F. Almurib, K.M. Muttaqi, "A coordinated design of PSSs and UPFC-based stabilizer using genetic algorithm", *IEEE Trans. on Industry Applications*, Vol. 50, No. 5, pp. 2957-2966, Feb. 2014.
- [38] D. Wang and K. Cai, "Multi-objective crashworthiness optimization of vehicle body using particle swarm algorithm coupled with bacterial foraging algorithm," *Proceedings of the Institution of Mechanical Engineers, Part D: Journal of Automobile Engineering*, vol. 232, no. 8, pp. 1003-1018, 2018.
- [39] B. V. Kumar and N. Srikanth, "A hybrid approach for optimal location and capacity of UPFC to improve the dynamic stability of the power system," *Applied Soft Computing*, vol. 52, pp. 974-986, 2017.
- [40] K. Kavitha and R. Neela, "Optimal allocation of multi-type FACTS devices and its effect in enhancing system security using BBO, WIPSO & PSO," *Journal of Electrical Systems and Information Technology*, vol. 5, no. 3, pp. 777-793, 2018.
- [41] A. Khodabakhshian, M.R. Esmaili, M. Bornapour, "Optimal coordinated design of UPFC and PSS for improving power system performance by using multi-objective water cycle algorithm", *Int. J. of Electrical Power and Energy Systems*, Vol. 83, pp. 124-133, Dec. 2016.
- [42] J.G. Singh, H.W. Qazi, M. Ghandhari, "Load curtailment minimization by optimal placement of unified power flow controller", *Int. Transactions on Electrical Energy Systems*, Vol. 26, No. 10, pp. 2272-2284,
- [43] S.M. Alamelu, R.P.K. Devi, "Novel optimal placement of UPFC based on sensitivity analysis and evolutionary programming", *J. of Engineering and Applied Sciences*, Vol. 3, No. 1, pp. 59-63, 2008.
- [44] B.V. Kumar, N.V. Srikanth, "Optimal location and sizing of Unified Power Flow Controller (UPFC) to improve dynamic stability: A hybrid technique", *Int. J. of Electrical Power and Energy Systems*, Vol. 64, pp. 429-438, Jan. 2015.
- [45] B. Vijay Kumar, N.V. Srikanth, "A hybrid approach for optimal location and capacity of UPFC to improve the dynamic stability of the power system", *Applied Soft Computing*, Vol. 52, pp. 974-986, March 2017.
- [46] L. Horváth and I. J. Rudas, "Active knowledge for the situation-driven control of product definition," *Acta Polytechnica Hungarica*, vol. 10, no. 2, pp. 217-234, 2013.
- [47] S. Mousavi, et al., "Dynamic resource allocation in cloud computing," *Acta Polytechnica Hungarica*, vol. 14, no. 4, pp. 83-104, 2017.
- [48] K.M. Kumar Reddy, A.K. Rao, R.S. Rao, "An improved Grey Wolf algorithm for optimal placement of unified power flow controller", *Advances in Engineering Software*, vol. 173, Article Number: 103187, Nov. 2022.
- [49] K.A.K. Reddy, S.P. Singh, "Congestion mitigation using UPFC", *IET Generation, Transmission and Distribution*, Vol. 10, No. 10, pp. 2433-2442, July 2016.
- [50] D. Koteswara Raju, Bhimrao S. Umre, Anjali S. Junghare, B. Chitti Babu, "Mitigation of subsynchronous resonance with fractional-order PI based UPFC controller", *Mechanical Systems and Signal Processing*, Vol. 85, pp. 698-715, Feb. 2017.
- [51] S. Dawn, P.K. Tiwari, "Improvement of economic profit by optimal allocation of TCSC & UPFC with wind power generators in double auction competitive power market", *Int. J. of Electrical Power and Energy Systems*, Vol. 80, pp. 190-201, Sep. 2016.
- [52] A. Fattollahi, M. Dehghani, M.R. Yousefi, "Analysis and Simulation Dynamic Behavior of Power System Equipped with PSS and Excitation System Stabilizer", *Signal Processing and Renewable Energy*, vol. 6, no. 1, pp. 99-111, Mar. 2022.
- [53] N. Taheri, H. Orojlo, F. Ebrahimi, "Damping controller design in offshore wind power plants to improve power system stability using fractional order PID controllers based on optimized exchange market algorithm", *Journal of Intelligent Procedures in Electrical Technology*, vol. 13, no. 51, pp. 91-110, Dec. 2022.
- [54] A. Fattollahi, et al., "Decentralized synergistic control of multi-machine power system using power system stabilizer", *Signal Processing and Renewable Energy*, vol. 4, no. 4, pp. 1-21, Dec. 2020.
- [55] M. Nayeripour, M.R. Narimani, T. Niknam, S. Jam, "Design of sliding mode controller for UPFC to improve power oscillation damping", *Applied Soft Computing*, Vol. 11, No. 8, pp. 4766-4772, Dec. 2011.
- [56] R.K. Pandey, N.K. Singh, "UPFC control parameter identification for effective power oscillation damping", *Int. J. of Electrical Power and Energy Systems*, Vol. 31, No. 6, pp. 269-276, July 2009.
- [57] M.M. Rahman, A. Ahmed, M.M.H. Galib, M. Moniruzzaman, "Optimal damping for generalized unified power flow controller equipped single machine infinite bus system for addressing low frequency oscillation", *ISA Transactions*, vol. 116, pp. 97-112, Oct. 2021.